

SECTION SIZE BEAM A;
 SIZE OF THE PLATE WELDED TO THE TOP OF BEAM A REQUIRED;
 SECTION SIZE BEAM B;
 SIZE OF THE PLATE WELDED TO THE TOP OF BEAM B IF REQUIRED;
 SECTION SIZE COLUMN A;

MEASUREMENT 1;
 MEASUREMENT 2;
 MEASUREMENT 3;
 MEASUREMENT 4;

PLATE THICKNESS FOR THE COLUMN TOP PLATE;
 BOLT SIZES FOR THE COLUMN TOP PLATE;
 PLATE THICKNESS FOR THE COLUMN BASE PLATE;
 BOLT SIZES FOR THE COLUMN BASE PLATE;

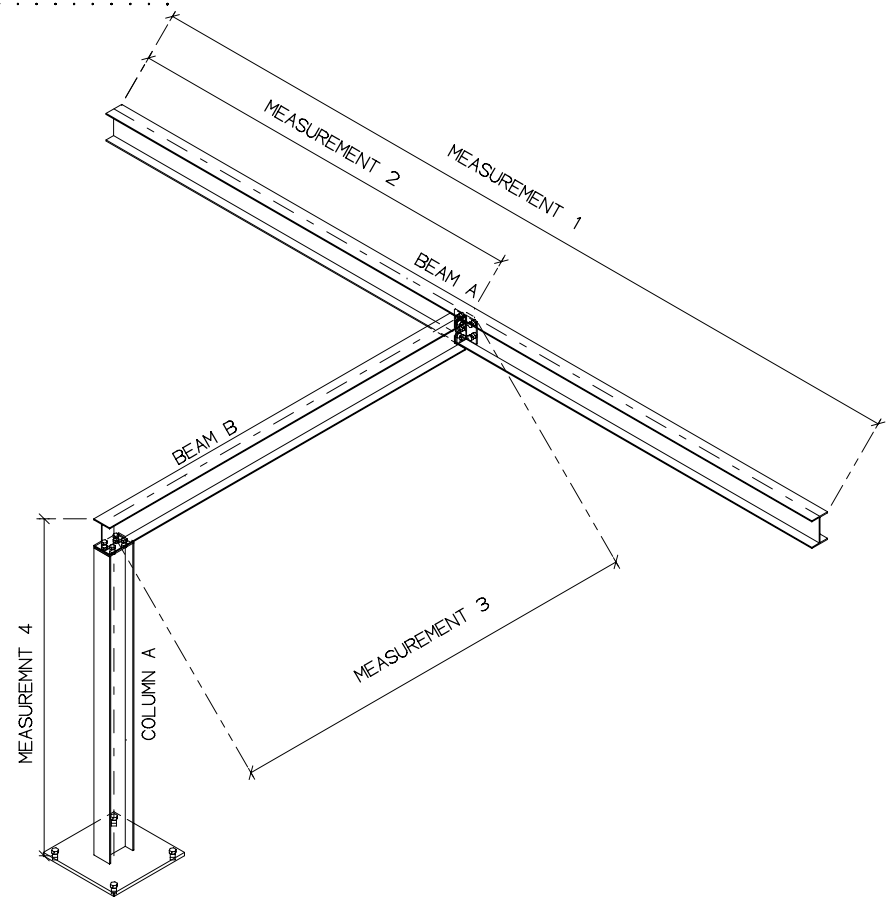
HOLES IN THE TOP FLANGE;
 BEAM A;
 BEAM B;

HOLES IN THE BOTTOM FLANGE;
 BEAM A;
 BEAM B;

HOLES IN THE WEB;
 BEAM A;
 BEAM B;
 COLUMN C;

HOLES IN THE OUTSIDE FLANGE OF COLUMN A;
 HOLES IN THE INSIDE FLANGE OF COLUMN A;

CLEAT SIZE;
 BOLT SIZE;
 PRIMED;
 SUPPLY HOLDING DOWN BOLTS;



N.B. PLEASE REMEMBER TO INCLUDE YOUR BEARINGS WHEN RECORDING YOUR MEASUREMENTS AND TO GIVE ALL MEASUREMENT FROM THE CENTRE LINES OF THE STEELS.

				CLIENT	DRAWN				
					CHECKED				
				PROJECT	GENERAL NOTES:				
REV	BY	DATE	DETAILS	TITLE	SCALE	JOB No	DWG No.	REV	
					NTS				

TREVAL ENGINEERING LTD

Crossways 101 Cray Avenue,
 Orpington, Kent, BR5 4AA
 Tel: (01689) 834301
 Fax: (01689) 890060