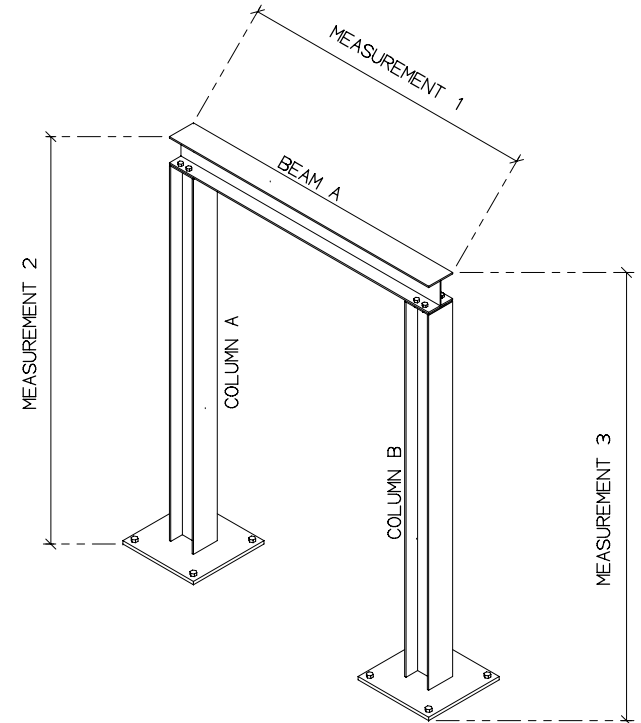


SECTION SIZE BEAM A; .....  
 SIZE OF THE PLATE WELDED TO THE TOP OF BEAM A IF REQUIRED; .....  
 SECTION SIZE COLUMN A; .....  
 SECTION SIZE COLUMN B; .....  
 MEASUREMENT 1; .....  
 MEASUREMENT 2; .....  
 MEASUREMENT 3; .....  
 PLATE THICKNESS FOR THE COLUMN TOP PLATE; .....  
 BOLT SIZES FOR THE COLUMN TOP PLATE; .....  
 PLATE THICKNESS FOR THE COLUMN BASE PLATE; .....  
 BOLT SIZES FOR THE COLUMN BASE PLATE; .....  
 HOLES IN THE TOP FLANGE BEAM A; .....  
 HOLES IN THE BOTTOM FLANGE BEAM A; .....  
 HOLES IN WEB OF BEAM A; .....  
 HOLES IN THE OUTSIDE FLANGE OF COLUMN A; .....  
 HOLES IN THE INSIDE FLANGE OF COLUMN A; .....  
 SUPPLY HOLDING DOWN BOLTS; .....  
 PRIMED; .....



				CLIENT	DRAWN			<b>TREVAL</b> ENGINEERING LTD Crossways 101 Cray Avenue, Orpington, Kent, BR5 4AA Tel: (01689) 834301 Fax: (01689) 890060
					CHECKED			
				PROJECT	GENERAL NOTES:			
REV	BY	DATE	DETAILS	TITLE	SCALE	JOB No	DWG No.	REV
					NTS			